

LUBRICATION POINTS

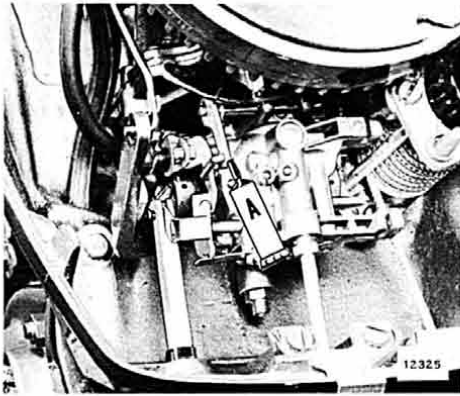


Figure 2-3. Carburetor Linkage

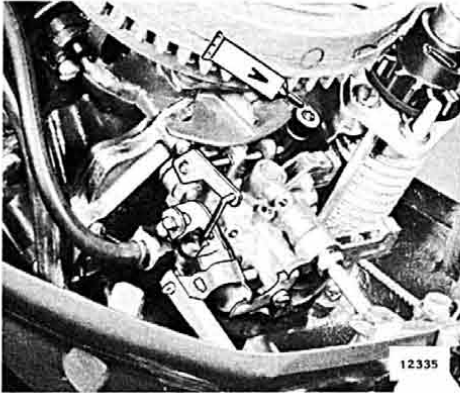


Figure 2-4. Cam Follower and Choke Linkage

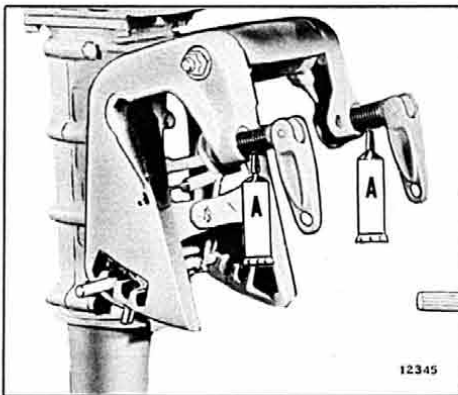


Figure 2-5. Clamp Screws

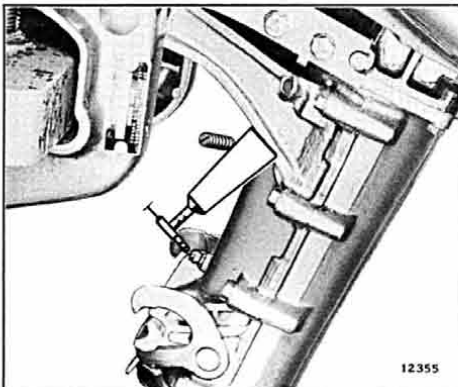


Figure 2-6. Swivel Bracket Fitting

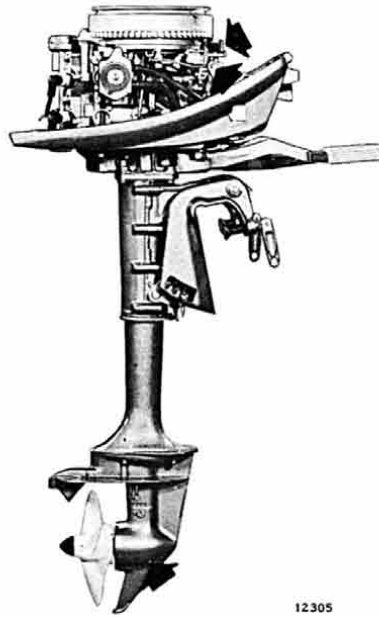


Figure 2-1. Starboard Side

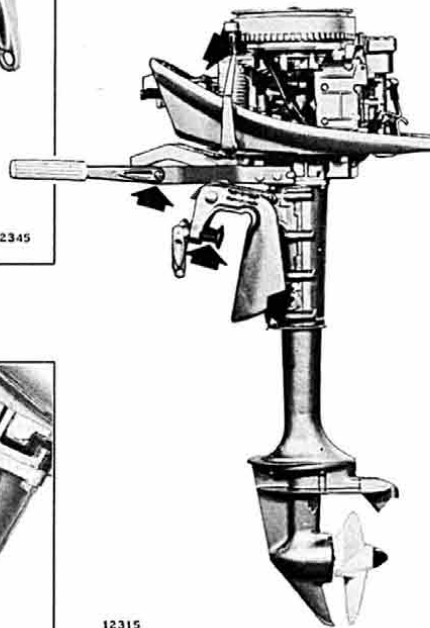


Figure 2-2. Port Side

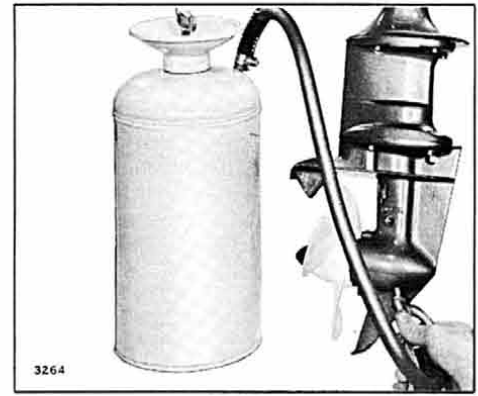


Figure 2-7. Gearcase

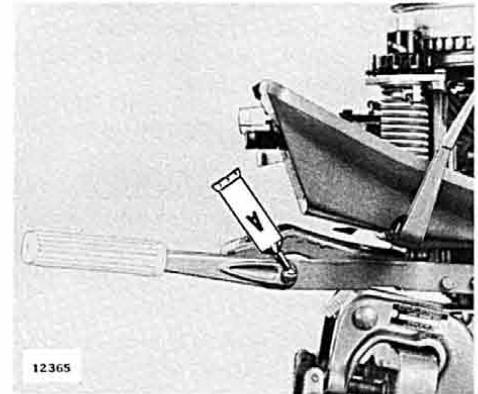


Figure 2-8. Steering Handle Pivot

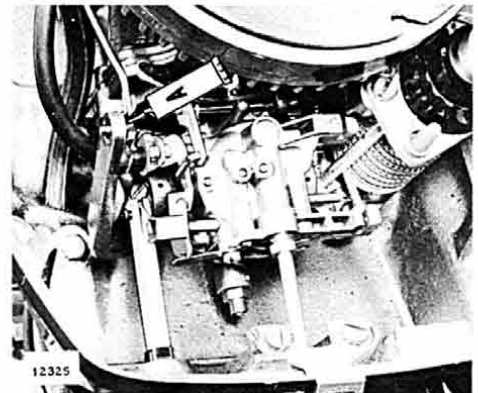


Figure 2-9. Speed Control Lever